

# RWL3525 Series

LED ROADWAY LIGHTING



EFFICIENT

HIGH TECH

DURABLE

# RWL 3525 Series

LED Roadway Lighting



## Product Information

The **RWL3525** is the next generation of technologically advanced street lights. Its low profile compact design incorporates the industry's highest power density and is available in numerous choices of optics for a wide range of light distribution patterns. The **RWL3525** is an **IP68** rated fixture constructed from high grade raw materials.

It has a Patented **Air Bi-Pass Convection System** which enables excellent thermal management to ensure long LED life, with extended lumen maintenance and virtually zero fixture maintenance. The **RWL3525** is an ultra-bright industry leading high efficacy fixture providing a cost effective solution with a short **ROI** period. It is designed to withstand harsh outdoor weather conditions with an unprecedented 10-Year Limited Warranty.

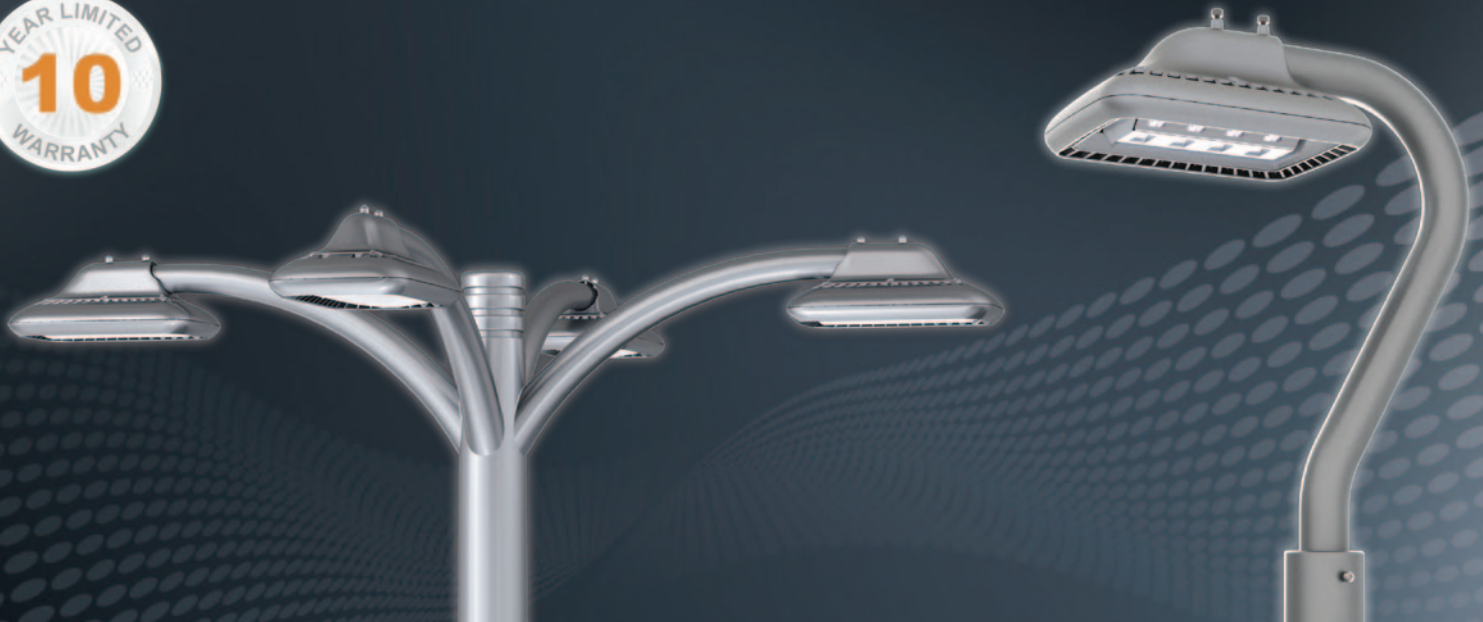
Patent No. 8,757,842 B2 / 8,272,765 B2 / 6,830,364  
Other US and international patents pending.

## Application

- Type II Street Lighting
- Type V Rectangular
- Parking Lots
- Perimeter Lighting
- Parks and Walkway Lighting

# RWL 3525 Series

LED Roadway Lighting



## Why **LED**<sup>®</sup>

- Technologically Advanced, low profile all-purpose LED street light
- Superior craftsmanship using high grade raw materials
- Cost effective solution with a Short ROI Period
- Small footprint design available in 35 / 55 / 75 / 100 watt configuration
- Available in different optics for various applications

## Advantages of RWL3525

- **Energy Efficient** / Ultra bright industry leading **High Efficacy (lm/W)** luminaire
- **Wide Angle Lighting** enabling longer pole spacing
- **Dark Sky Compliant** / Full Cut-Off Optics
- **Proprietary Reflector Controlled Optics** enabling glare-free uniform lighting  
Eliminating the need for costly and fragile plastic lenses
- **Advanced Integrated Thermal Technology** enables low LED junction temperatures (T<sub>j</sub>) for maintenance free long life
- **Dura-Guard** double layer epoxy coating with industry leading 10 year protection on weather and corrosion
- **IP68** (water, dust & vapor-proof) rated luminaire with an exceptional **10-Year Limited Warranty**
- Optional programmable **RF Wireless Smart Control System with daylight sensor** enabling greater savings and flexibility
- Designed and Engineered in the **USA** and manufactured in Taiwan

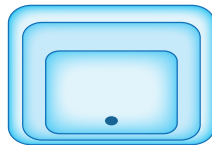
# RWL 3525 Series

## LED Roadway Lighting

### Optic Options

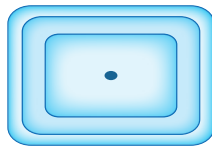
**02 - Type II Roadway Lighting** / asymmetric for street and pedestrian walkway applications

**M - Medium**



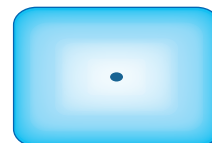
**S5 - Type V Rectangular** / symmetric for street, parking lot and pedestrian walkway applications

**M - Medium**



**F5 - Type V Opaque - Frosted** / symmetric for ultra uniform & low glare applications

**L - Long**





# RWL 3525 Series

## LED Roadway Lighting

### Ordering Information

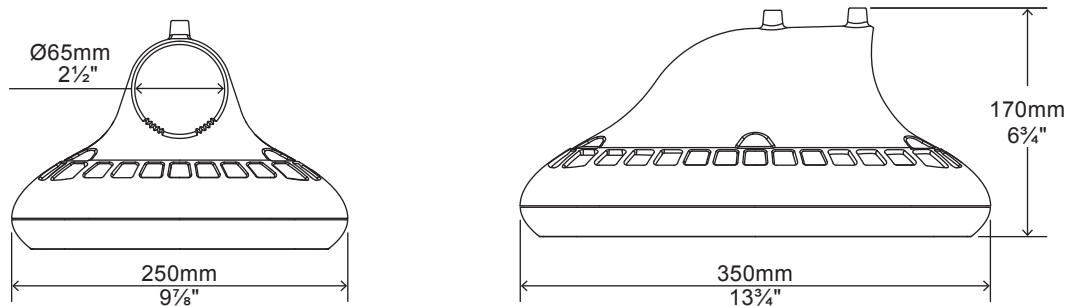
RWL3525 -		Wattage	Voltage	Optics	Pitch	CCT	Driver
035 = 35Watt	055 = 55Watt	075 = 75Watt	100 = 100Watt	UV = 90-277VAC			
				02 = Type II	M = Medium	30 = 3000K	ND = Non-Dimmable
				S5 = Type V Rectangular	L = Long	40 = 4000K	DM = Dimmable
				F5 = Type V Frosted		50 = 5000K	DS = Dimmable With Sensor

NOTE: Outdoor application and corrosive environment please request glass lens.  
Gray is the standard exterior color. Other colors are available on request.

### Example

Part Number	Part Description
RWL3525-035UV-02M-50DS	LED Roadway Light / 35 Watt / 90-277VAC / Type II / Medium Pitch / 5000K Cool White / Dimmable with Daylight Sensor

### External Dimensions



### Packaging Information

Case Quantity	Dimensions (LxWxH)	Weight
1	38.5 x 28.5 x 23 cm 15⅞ x 11¼ x 9 in	6.2 kg 13.6 lbs

# RWL 3525 Series

## LED Roadway Lighting

### Specification - Type II / Type V Rectangular

Fixture Watts	35 W	55 W	75 W	100 W
Lumens (Total) *	4,830 lm	7,150 lm	9,150 lm	11,600 lm
Efficacy *	138 lm / W	130 lm / W	122 lm / W	116 lm / W
Number of LEDs & Driving Current	12@285mA	12@445mA	12@650mA	12@650mA
T <sub>s</sub> - Solder Point Temp *	50°C	54°C	58°C	62°C
L70 Rating @ T <sub>a</sub> 25°C	> 175K hours	> 160K hours	> 150K hours	> 135K hours
Operational Temperature (T <sub>a</sub> )	-40°C ~ 55°C			
Input Voltage	90-277VAC 47~63Hz			
LED Model	Lumileds / Nichia / Cree			
CRI	75			
Lighting Control	Dimmable (0-10V, PWM) / Daylight & Motion Sensor			
Warranty	10-Year Limited			
Storage Temp. / Humidity	-40°C ~ 80°C / IP68 Waterproof Rated Fixture			
Transient Surge Protection	20kV / 10kA (L - L, L-G)			

\* Test data @ T<sub>a</sub> 25°C

NOTE: All Values Have ±7% Tolerance

### Specification - F5 Type V Frosted

Fixture Watts	35 W	55 W	75 W	100 W
Lumens (Total) *	4,025 lm	6,100 lm	7,800 lm	10,000 lm
Efficacy *	115 lm / W	111 lm / W	104 lm / W	100 lm / W
Number of LEDs & Driving Current	12@285mA	12@445mA	12@650mA	12@650mA
T <sub>s</sub> - Solder Point Temp *	49°C	51°C	54°C	61°C
L70 Rating @ T <sub>a</sub> 25°C	> 185K hours	> 175K hours	> 160K hours	> 140K hours
Operational Temperature (T <sub>a</sub> )	-40°C ~ 55°C			
Input Voltage	90-277VAC 47~63Hz			
LED Model	Lumileds / Nichia / Cree			
CRI	70 / 80			
Lighting Control	Dimmable (0-10V, PWM) / Daylight & Motion Sensor			
Warranty	10-Year Limited			
Storage Temp. / Humidity	-40°C ~ 80°C / IP68 Waterproof Rated Fixture			
Transient Surge Protection	20kV / 10kA (L - L, L-G)			

\* Test data @ T<sub>a</sub> 25°C

NOTE: All Values Have ±7% Tolerance

