

IL3525

VERSATILE LED LUMINAIRE



HIGH TECH



IL 3525 Series

LED Industrial Lighting



Product Information

The **IL3525** Series is the next generation of technologically advanced LED Industrial Lighting for low-bay applications. Its compact design incorporates the industry's highest power density and efficacy and is available in numerous choices of optics for a wide range of light distribution patterns. The **IL3525** Series is constructed from high grade aluminum alloys and has an **IP68** rating suitable in most environments for both indoor and outdoor applications.

Its Patented **Thermal Management System** ensures long LED life with extended lumen maintenance and virtually zero fixture maintenance. Without any secondary optics the **IL3525** Series provides ultra-bright industry leading high efficacy light output, resulting in cost effective solutions with a short **ROI** period. Available with numerous versatile mounting systems including its patented Snap & Slide mounting system enabling, a simple, safe and cost effective installation.

Patent No. 8,757,842 B2 / 8,272,765 B2 / 9,383,084 / 6,830,364
Other US and international patents pending

Application

- Food Processing Plants
- Billboards
- Warehouses
- Tunnels
- Parking Structures
- Canopy Lighting

IL 3525 Series

LED Industrial Lighting



Why **LED**[®]

- Technologically Advanced, low profile all-purpose LED Industrial Light
- Flexible Design with versatile mounting options for all applications
- Superior craftsmanship using high grade raw materials
- Cost effective solution with a Short ROI Period
- Small footprint design available in 35 / 55 / 75 / 100 watt configuration
- Available in different optics for various applications

Advantages of IL3525

- **Proprietary Reflector And Optics** enabling glare-free uniform lighting for all working environments.
Eliminating the need for costly and fragile plastic lenses
- **Advanced Thermal Technology** enables low LED junction temperatures (T_j) for maintenance free long life
- **Dura-Guard** double layer epoxy coating with industry leading 10 year protection on weather and corrosion
- Integrated high efficiency LED driver with smart circuitry combined with surge and transient voltage protection
- A true industrial grade luminaire that is **IP68** (water, dust & vapor-proof) rated with an exceptional **10-Year Limited Warranty**
- Optional programmable **RF Wireless Smart Control System with PIR motion & daylight sensor** enabling greater savings and flexibility
- Designed and Engineered in the **USA**

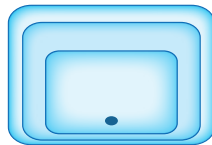
IL 3525 Series

LED Industrial Lighting

Optic Options

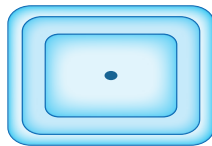
02 - Type II / wall mount & perimeter lighting applications

M - Medium



S5 - Type V Rectangular / symmetric for canopies, tunnels, parking garages and wide flood applications

M - Medium



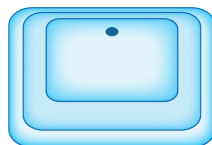
F5 - Type V Opaque - Frosted / symmetric for ultra uniform & low glare applications

L - Long



B2 - Billboard Lighting / asymmetric for billboards and signage applications

M - Medium



IL 3525 Series

LED Industrial Lighting

Mounting Options



**SSL - SPRING LOADED SNAP & SLIDE
SURFACE MOUNTING SYSTEM**



**SSL - SPRING LOADED SNAP & SLIDE
MOUNTING SYSTEM**



W90 - WALL MOUNTING SYSTEM



**SWL - VARIABLE ANGLE SWIVEL
MOUNTING SYSTEM**

**CH4 - CHAIN CHANDELIER
MOUNTING SYSTEM**



IL 3525 Series

LED Industrial Lighting

Ordering Information

IL3525		Wattage	Voltage	Optics	Pitch	CCT	Driver	Mounting *
035 = 35Watt	UV = 90-277VAC	055 = 55Watt	DV = 127-300VDC	02 = Type II	M = Medium	30 = 3000K	ND = Non-Dimmable	SSL = Snap & Slide
075 = 75Watt		100 = 100Watt		S5 = Type V Rectangular	L = Long	40 = 4000K	DM = Dimmable	CH4 = 4 Chain
				F5 = Type V Frosted		50 = 5000K	DS = Dimmable With Sensor	W90 = Wall Mount
				B2 = Billboard				SWL = Swivel Mount

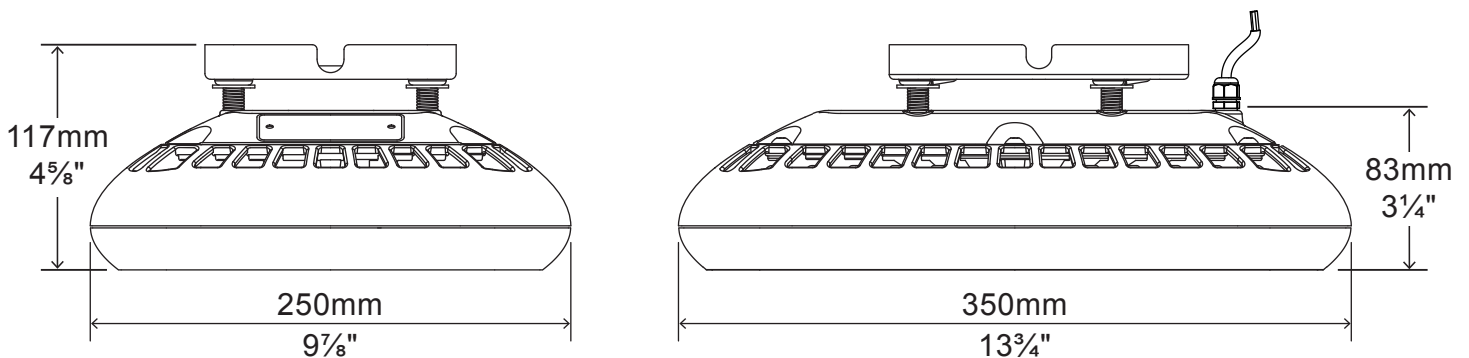
* SSL mount is standard, please see mounting options accessories for details.

NOTE: Outdoor application and corrosive environment please request glass lens.
Gray is the standard exterior color. Other colors are available on request.

Example

Part Number	Part Description
IL3525-075UV-S5M-50DS-SSL	LED Industrial Light / 75 Watt / 90-277VAC / Type V Rectangular / Medium Pitch / 5000K Cool White / Dimmable with Daylight & Motion Sensor / Snap & Slide

External Dimensions



Packaging Information

Case Quantity	Dimensions (LxWxH)	Weight
1	38.5 x 28.5 x 16.5 cm 15 1/8 x 11 1/4 x 6 1/2 in	5.7 kg 12.5 lbs

IL 3525 Series

LED Industrial Lighting

Specification - Type II / Type V Rectangular & B2 Billboard

Fixture Watts	35 W	55 W	75 W	100 W
Lumens (Total) *	4,830 lm	7,150 lm	9,150 lm	11,600 lm
Efficacy *	138 lm / W	130 lm / W	122 lm / W	116 lm / W
Number of LEDs & Driving Current	12@285mA	12@445mA	12@650mA	12@650mA
T _s - Solder Point Temp *	50°C	54°C	58°C	62°C
L70 Rating @ T _a 25°C	> 175K hours	> 160K hours	> 150K hours	> 135K hours
Operational Temperature (T _a)	-40°C ~ 50°C			
Input Voltage	90-277VAC 47~63Hz / 127-300VDC			
LED Model	Lumileds / Nichia / Cree			
CRI	75			
Lighting Control	Dimmable (0-10V, PWM) / Daylight & Motion Sensor			
Warranty	10-Year Limited			
Storage Temp. / Humidity	-40°C ~ 80°C / IP68 Waterproof Rated Fixture			
Transient Surge Protection	6kV / 3kA (L - L, L-G)			

* Test data @ T_a 25°C

NOTE: All Values Have ±7% Tolerance

Specification - F5 Type V Frosted

Fixture Watts	35 W	55 W	75 W	100 W
Lumens (Total) *	4,025 lm	6,100 lm	7,800 lm	10,000 lm
Efficacy *	115 lm / W	111 lm / W	104 lm / W	100 lm / W
Number of LEDs & Driving Current	12@285mA	12@445mA	12@650mA	12@650mA
T _s - Solder Point Temp *	49°C	51°C	54°C	61°C
L70 Rating @ T _a 25°C	> 185K hours	> 175K hours	> 160K hours	> 140K hours
Operational Temperature (T _a)	-40°C ~ 50°C			
Input Voltage	90-277VAC 47~63Hz / 127-300VDC			
LED Model	Lumileds / Nichia / Cree			
CRI	70 / 80			
Lighting Control	Dimmable (0-10V, PWM) / Daylight & Motion Sensor			
Warranty	10-Year Limited			
Storage Temp. / Humidity	-40°C ~ 80°C / IP68 Waterproof Rated Fixture			
Transient Surge Protection	6kV / 3kA (L - L, L-G)			

* Test data @ T_a 25°C

NOTE: All Values Have ±7% Tolerance

