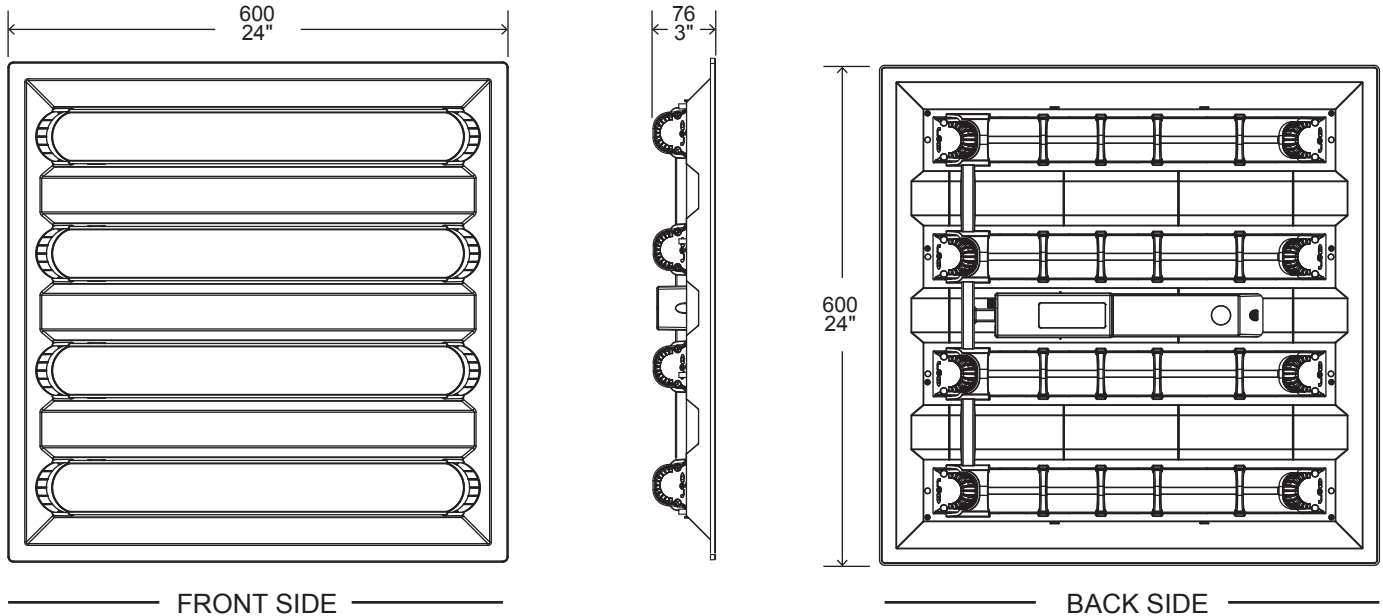


# CLM422 2' x 2' OFFICE LIGHT / TROFFER

## INSTALLATION GUIDE



### FEATURES AND APPLICATIONS

- L70 Rating @ Ta 25°C Over 80,000 hour rated life
- Cost Effective Solution as a true LED replacement with a **5-Year Warranty**
- Light Weight (3kg / 6.5lbs) eliminates the need for complicated and costly ceiling reinforcements
- Glare-Free, comfortable uniform lighting for all working environments
- Dry or damp location rated
- Suitable for non-insulated ceiling applications
- Above ceiling access required
- Suitable for suspended ceilings
- Can be installed in all standard 2' x 2' 600 x 600mm T-bar ceiling grids

### WARNING

#### RISK OF ELECTRIC SHOCK

- Installation must be done by a certified electrician and / or qualified personnel.
- Make sure to turn OFF the main power from the circuit breaker or fuse box before installing, servicing or inspecting this luminaire.
- Make sure all grounding wires are connected correctly.

#### RISK OF FIRE

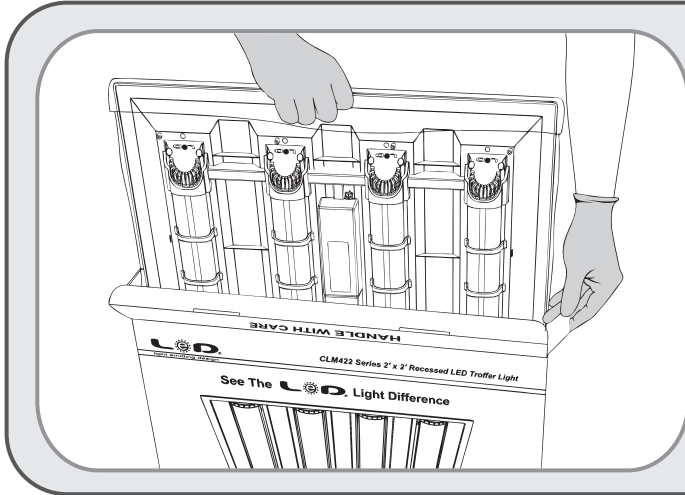
- Ensure that all line voltage wire is intended for specified product wattage.
- Use UL and/or CE approved wires for all input connections, minimum size required 18 AWG (0.82mm<sup>2</sup>)
- Do not install insulation within 3 inches (76 mm) of luminaire top
- Do not use this product in environments where the temperatures could exceed **50°C (122°F)**

\* BEFORE YOU INSTALL this luminaire please read these instructions carefully and completely

# CLM422 2' x 2' OFFICE LIGHT / TROFFER

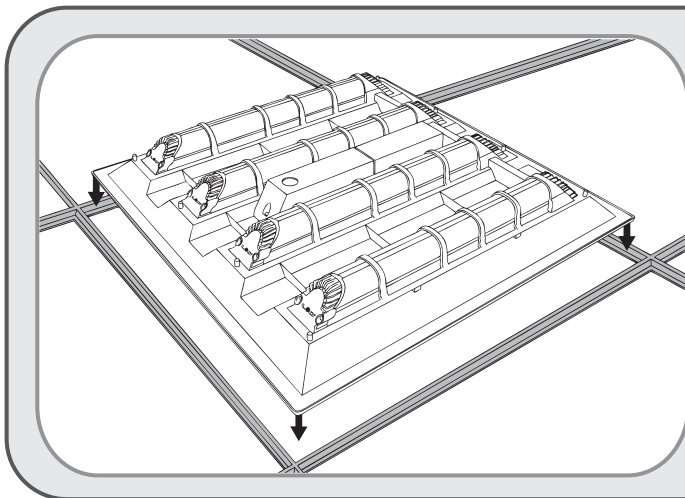
## INSTALLATION GUIDE

1.



Handle luminaire with care while unpacking the unit from its packaging and carefully examine the unit for defects before installing. Report any damage and save all packing materials if any part is damaged during transport. We recommend wearing work gloves when installing this fixture to prevent dirt and oil from coming into contact with the fixture.

2.



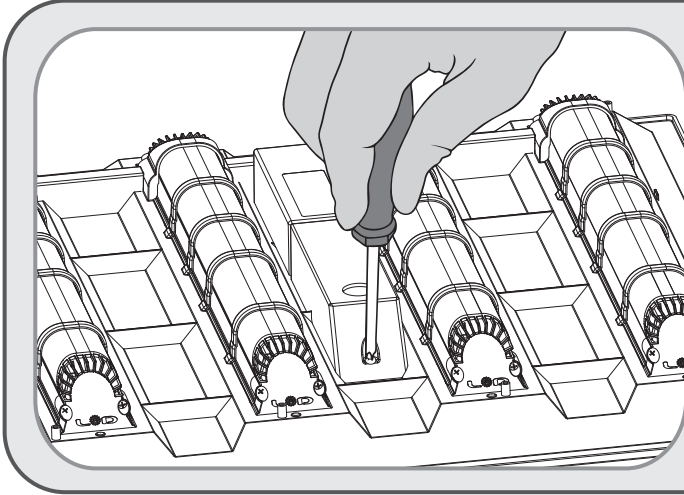
### Warning!

Before installation turn OFF power to appropriate circuit at the breaker box. Insert the luminaire into the T-bar ceiling grid and ensure that the unit sits flat at the four edges of the T-bar. To ensure a uniform appearance align all fixtures in the same orientation throughout the ceiling. Do not install insulation within 3 inches (76 mm) of luminaire top.

# CLM422 2' x 2' OFFICE LIGHT / TROFFER

## INSTALLATION GUIDE

3.

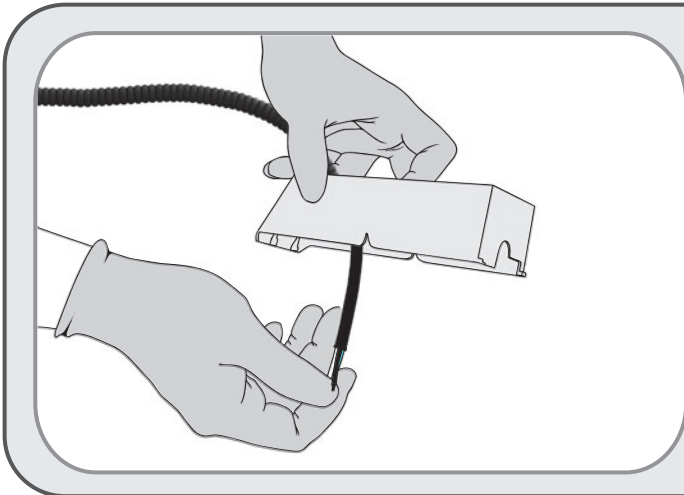


### Warning!

Before connecting any AC input electrical wiring to the electric grid make sure to turn OFF power to all appropriate circuit at the breaker box.

Carefully unscrew and remove the junction box.

4.



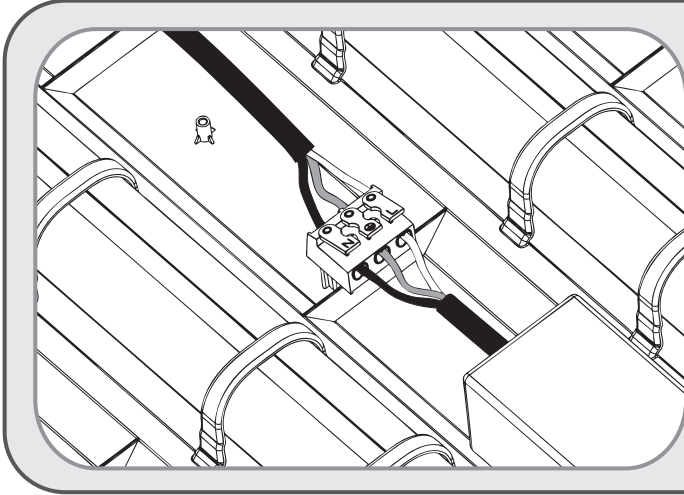
Insert AC line input wires through the knock out hole. Install proper electrical fittings at the knockout hole for wire protection.

Nominal strip length must be a minimum of 5/8 inches (15 mm) long.

# CLM422 2' x 2' OFFICE LIGHT / TROFFER

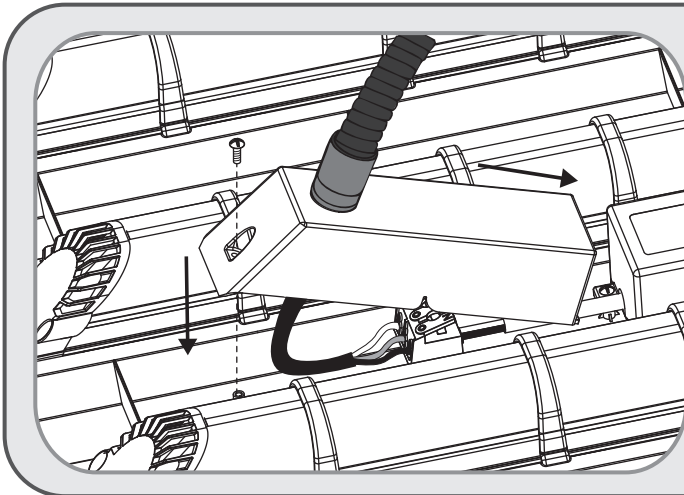
## INSTALLATION GUIDE

5.



Connect the AC input line (L) wire to the corresponding marked AC line (**L-BLACK**) wire on the quick connect terminal block. Connect the AC input neutral (N) wire to the corresponding marked AC neutral (**N-WHITE**) wire on the quick connect terminal block. Ground fixture by connecting the input ground wire (⊕) to the corresponding marked (⊕ - **GREEN**) wire on the quick connect terminal block.

6.



After all connections are completed, place the junction box back onto the fixture frame by inserting the two pins on the far end of the junction box underneath the power supply. Make sure that all wires are enclosed underneath the junction box. Tighten junction box firmly to the fixture frame with a screw-driver.



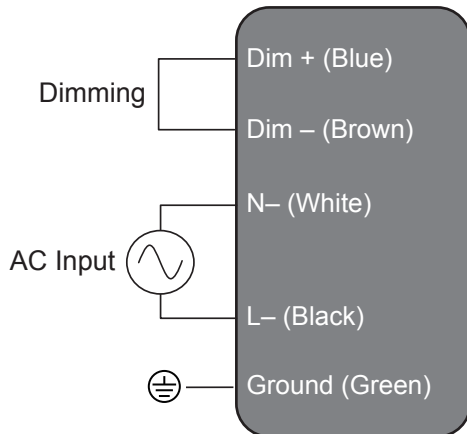
**WARNING RISK OF FIRE**

Do not install insulation within 3 inches (76 mm) of luminaire top.

# CLM422 2' x 2' OFFICE LIGHT / TROFFER

## INSTALLATION GUIDE

### Wiring & Application Diagram



- NOTE:**
- Ensure that all line voltage wire is intended for specified product wattage.
  - Use UL and / or CE approved wires for all input connections, minimum size required 18 AWG (0.82mm<sup>2</sup>)
  - Refer to the specific dimmer installation manual for exact wiring instructions.

### **WARNING**

#### **RISK OF ELECTRIC SHOCK**

- Installation must be done by a certified electrician and / or qualified personnel.
- Make sure to turn OFF the main power from the circuit breaker or fuse box before installing, servicing or inspecting this luminaire.
- Make sure all grounding wires are connected correctly.