

ILX3525 Series LED Industrial Lighting




LED Driver Electrical and Dimming Control Specification 35-100Watt

Type II / F5 Type V Frosted / Type V Rectangular & B2 Billboard



Input Specification

	Units	Minimum	Typical	Maximum	Notes
Input Voltage Range	VAC	90	120/277	305	
	VDC	127		300	
Input Frequency Range	Hz		60		
Power Factor (PF)		57	> 0.9	63	At full load and nominal input voltage
Inrush Current	A	0.9		50 A peak	At any point on the sine wave and 25 °C
Leakage Current	µA			250 µA @ 120 VAC 600 µA @ 277 VAC	Measured per IEC60950-1
Input Harmonics	Complies with IEC6100-3-2 for Class C equipment				
Total Harmonics Distortion (THD)				20%	<ul style="list-style-type: none"> At nominal input voltage and nominal LED load Complies with DLC (DesignLight Consortium) technical requirements v1.7
Efficiency		-	90%	-	At nominal input voltage
Isolation	Meets UL60950-1 for class II reinforced/double insulation power supply 				

ILX3525 Series LED Industrial Lighting



LED Driver Electrical and Dimming Control Specification 35-100Watt

EMC Compliance and Safety Approvals

EMC Compliance			
Conducted and Radiated EMI		FCC CFR Title 47 Part 15 Class B and EN55022 (CISPR 22) Class B compliant	
Harmonic Current Emissions		IEC61000-3-2	For Class C equipment
Voltage Fluctuations & Flicker		IEC61000-3-3	
Immunity Compliance	ESD (Electrostatic Discharge)	IEC61000-4-2	8 kV contact discharge, 8 kV air discharge, level 4
	RF Electromagnetic Field Susceptibility	IEC61000-4-3	3V/m, 80 - 1000 MHz, 80% modulated at distance of 3 meters
	Electrical Fast Transient	IEC61000-4-4	± 2kV on AC power port for 1 minute, ±1kV on signal/control lines
	Surge	IEC61000-4-5	10kV / 5kA (L - L, L-G) Meets ANSI C136.2 and IEEE C62.41.2 Category C
	Conducted RF Disturbances	IEC61000-4-6	3V, 0.15-80MHz, 80% modulated
	Voltage Dips	IEC61000-4-11	>95% dip, 0.5 period; 30% dip, 25 periods; 95% reduction, 250 periods
Transient Protection	Ring Wave		ANSI/IEEE c62.41.1-2002 & c62.41.2-2002 category A, 2.5 kV ring wave

Safety Agency Approvals			
UL	UL60950-1 recognized	UL8750 recognized	Approved for damp locations
cUL	CSA C22.2 60950-1		
CE	EN61347-2-13 electronic control gear for LED Modules		

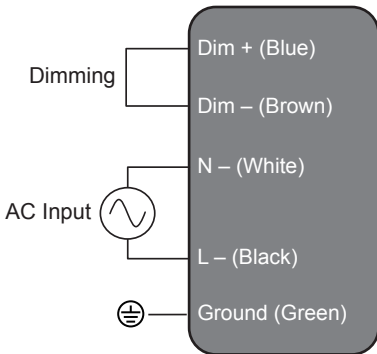
Safety					
	Units	Minimum	Typical	Maximum	Notes
Hi Pot (High Potential)	VDC	4242			Insulation between the input (AC line and Neutral) and the output

ILX3525 Series LED Industrial Lighting

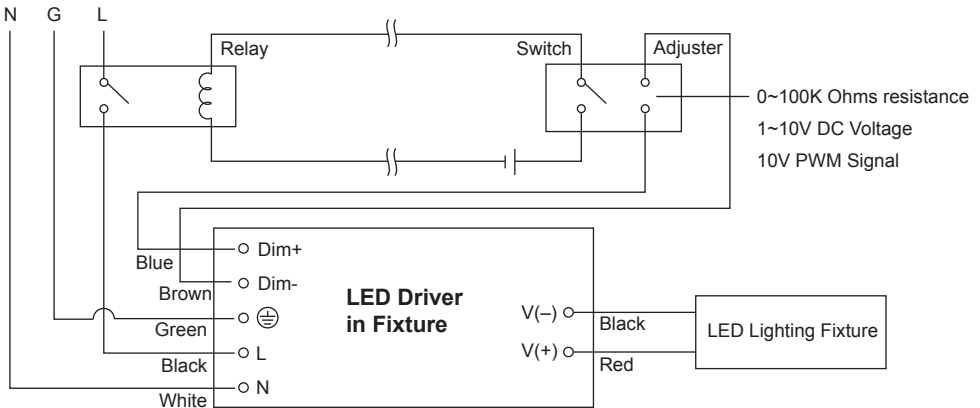


LED Driver Electrical and Dimming Control Specification 35-100Watt

Dimming connection diagram for turning the lighting fixture ON/OFF :



Input Wires



Using a switch and relay can turn ON/OFF the lighting fixture.

1. Output constant current level can be adjusted through output cable by connecting a or 1~10Vdc or 10V PWM signal resistance between Dim+ and Dim-.
2. The LED lighting fixture can be turned ON/OFF by the switch.

Made in Taiwan
Designed and Engineered in the USA