

# IL450 Series LED Industrial Lighting



LED Driver Electrical and Dimming Control Specification 75-220Watt

## Type II / Type V Round / Type V Square

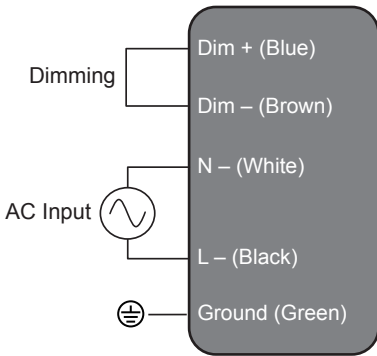


<b>INPUT</b>	VOLTAGE RANGE <small>Note.4</small>	90 ~ 277VAC (347 and 480VAC available) / 127 ~ 380VDC
	FREQUENCY RANGE	47 ~ 63Hz
	POWER FACTOR (Typ.)	PF>0.98/115VAC, PF>0.95/230VAC, PF>0.92/277VAC at full load (Please refer to "Power Factor Characteristic" curve)
	EFFICIENCY (Typ.)	94%
	INRUSH CURRENT (Typ.)	COLD START 75A/230VAC
	LEAKAGE CURRENT	<0.75mA / 277VAC
<b>PROTECTION</b>	OVER CURRENT	Protection type: Constant current limiting, recovers automatically after fault condition is removed
	SHORT CIRCUIT	Constant current limiting, recovers automatically after fault condition is removed
	OVER VOLTAGE	Protection type: Shut down o/p voltage with auto-recovery or re-power on to recovery
	OVER TEMPERATURE	100°C ± 10°C(RTH2) Protection type: Shut down o/p voltage, recovers automatically after temperature goes down
<b>ENVIRONMENT</b>	VIBRATION	10 ~ 500Hz, 5G 12min./1cycle, period for 72min. each along X, Y, Z axes
<b>SAFETY &amp; EMC</b>	SAFETY STANDARDS <small>Note.6</small>	UL8750, CSA C22.2 No. 250 0-08, EN61347-1, EN61347-2-13 independent IP65 or IP67, J61347-1, J61347-2-13 approved ; design refer to UL60950-1, TUV EN60950-1
	WITHSTAND VOLTAGE	6kV / 3kA (L - L, L-G)
	ISOLATION RESISTANCE	I/P-O/P, I/P-FG, O/P-FG: 100M Ohms / 500VDC / 25°C/ 70% RH
	EMC EMISSION	Compliance to EN55015, EN55022 (CISPR22) Class B, EN61000-3-2 Class C (≥50% load) ; EN61000-3-3
	EMC IMMUNITY	Compliance to EN61000-4-2,3,4,5,6,8,11, EN61547, EN55024, light industry level (surge 4KV), criteria A
<b>NOTE</b>	<ol style="list-style-type: none"> <li>All parameters NOT specially mentioned are measured at 230VAC input, rated load and 25°C of ambient temperature.</li> <li>Ripple &amp; noise are measured at 20MHz of bandwidth by using a 12" twisted pair-wire terminated with a 0.1uf &amp; 47uf parallel capacitor.</li> <li>Tolerance: includes set up tolerance, line regulation and load regulation.</li> <li>Derating may be needed under low input voltages. Please check the static characteristics for more details.</li> <li>Safety and EMC design refer to EN60598-1, CNS15233, GB7000.1, FCC part18.</li> <li>Length of set up time is measured at cold first start. Turning ON/OFF the power supply may lead to increase of the set up time.</li> <li>The power supply is considered as a component that will be operated in combination with final equipment. Since EMC performance will be affected by the complete installation, the final equipment manufacturers must re-qualify EMC Directive on the complete installation again.</li> <li>Refer to warranty statement.</li> </ol>	

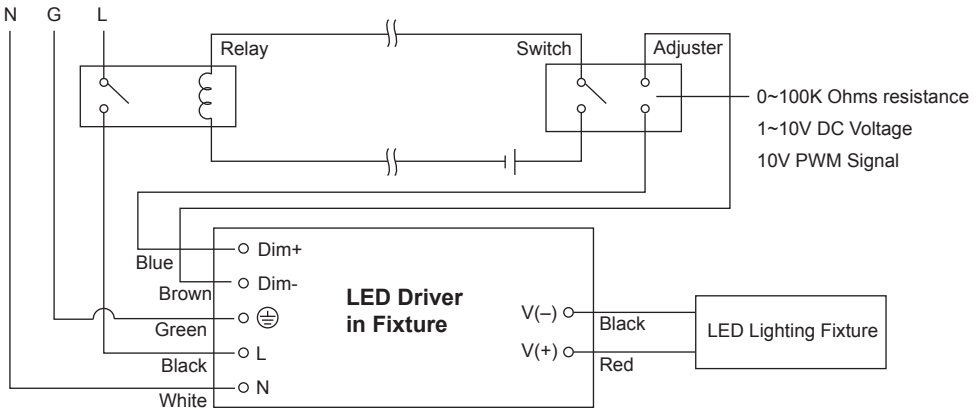
# IL450 Series LED Industrial Lighting

LED Driver Electrical and Dimming Control Specification 75-220Watt

## Dimming connection diagram for turning the lighting fixture ON/OFF :



### Input Wires



Using a switch and relay can turn ON/OFF the lighting fixture.

1. Output constant current level can be adjusted through output cable by connecting a or 1~10Vdc or 10V PWM signal resistance between Dim+ and Dim-.
2. The LED lighting fixture can be turned ON/OFF by the switch.

Made in Taiwan  
Designed and Engineered in the USA