

LM 200 Series

LED Architectural 7½" Downlighting



Advantages of LM200

- Ultra bright industry leading **High Efficacy (lm/W)** Luminaire
- Energy efficient luminaire with a **Short ROI Period**
- **High CRI** with warm comforting soft light
- **Uniform Glare-Free** lighting without the uncomfortable LED “eye piercing effect”
- **Patented thermal solution** enables low LED Junction Temperatures (T_j) for maintenance free long life.
- 5-Year Limited Warranty
- **Dimmable** built-in LED driver with **Smart Circuitry** enables greater protection when used in unstable electrical grids
- **Indoor / Outdoor** all-in-one luminaire for retrofit or new construction
- Designed and Engineered in the **USA**

Application

- Residential
- Retail
- Hospitality
- Healthcare
- Schools
- Office

LM 200 Series

LED Architectural 7½" Downlighting

Features

- LM200 Light Module is designed to last over 50,000 hours with a minimum of 70% Lumen Maintenance
- High lumen output & high efficacy
- Available in warm 2700 / 3000K, neutral 4000K and cool 5000K white
- Dimmable to 25% with selected dimmers
- Available in GU-24 Base for high efficacy line voltage sockets
- Suitable for recessed IC and non IC housings
- Indoor / outdoor: Ideal for damp locations

Housing

- Proprietary Air-Flow Convection® System designed to minimize heat and maximize LED life by reducing the junction temperature of the LED when used in environments exceeding 50°C (122°F)
- LM200 is manufactured using only the highest grade alloys and proprietary die-casting technology in the construction of the dome housing and heat sink to maximize performance and minimize cooling cost

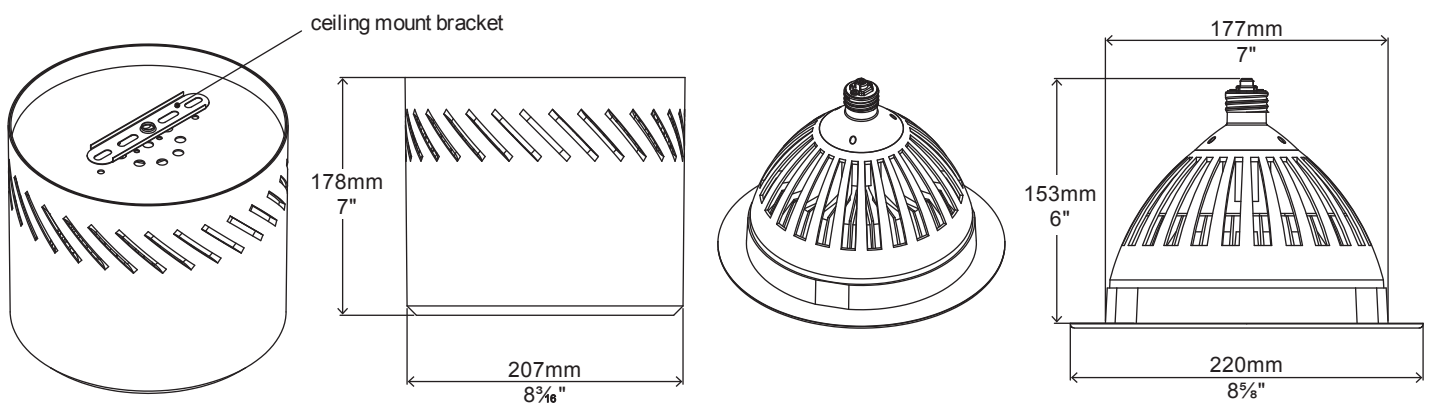
Electronics

- Patented MCPCB technology enables ultra low LED junction temperatures for maintenance free long life
- Integrated high efficiency LED driver and power supply
- Smart circuitry with surge and transient voltage protection
- Precisely controlled constant current draw for stable power source
- Powered by industry leading high brightness LED chip

Optics

- Proprietary reflector and optical diffuser system enables 120° glare-free comforting soft light without the uncomfortable LED "eye piercing effect"

External Dimensions



LM 200 Series

LED Architectural 7½" Downlighting

Sockets

E26/27 Standard Edison Socket



GU-24 Base Socket



Mounting options



INDOOR CAN / RETROFIT

Part Number	Part Description
RH200	RH200 - Recessed Housing for Retrofit



SURFACE MOUNT / OUTDOOR CAN

Part Number	Part Description
SMH200G-W	LM200 GU24 Base Socket / Surface Mount Housing / Indoor / Outdoor / White



INDOOR CAN / NEW CONSTRUCTION

Part Number	Part Description
NH200	NH200 - Recessed Housing for New Construction

LM 200 Series

LED Architectural 7½" Downlighting

Ordering Information

LM200	Series			-	CCT			-	Mounting *		
	Series	Voltage	Socket		Lip Length	Trim Color	Mounting *				
	120 150 200	1 = 110VAC 2 = 220VAC	E = E26/27 G = GU-24		27 = 2700K 30 = 3000K 40 = 4000K 50 = 5000K	L = Long Lip S = Short Lip	M = Mocha W = White		CA SA		

* Mounting Options: United States & Canada select CA, otherwise select SA.

Example

Part Number	Part Description
LM202E-30LW-SA	20Watt 220VAC E26/27 Standard Edison Socket / Dimmable / 3000K Warm White / Long Lip / White Trim / Spring Arm

Packaging Information

Case Quantity	Dimensions (LxWxH)	Weight
12	78 x 53 x 40 cm 30¾ x 20⅞ x 15¾ in	21.37 - 22.33 kg 47.01 - 49.13 lbs

LED Driver Electrical Specifications

AC Input: 110VAC or 220VAC / 0.3-0.15A / 47-63Hz	Output: 52VDC - 350mA
Input Inrush Current: < 10A / 115VAC, < 20A / 230VAC	Tolerance: ±7%
Power Factor: > 0.94 at Full Load, 115VAC, 230VAC	MTBF(@25°C): >100,000 Hours, MIL-217F
Current Crest Factor (Ipk): 1.5 Max	Safety: UL1310 Class 2, CE, RoHS, TUV
Total Harmonic Distortion: 20% Max	Meet: EN55015, EN61547, EN61347-2-13, EN6100-3-2,
Efficiency: TYP 85%	EN61000-3-3, FCC Class B
Protection OCP, SCP, OVP - Auto Recovery	Surge Protection: 4KVAC / 3 seconds

Dimmable with Selected Dimmers and On/Off Step Dimming
 T1: 100%, T2: 75%, T3: 50%, T4: 25% (on/off time interval 1.5 sec).
 NOTE: All Values Have ±7% Tolerance

LM 200 Series

LED Architectural 7½" Downlighting

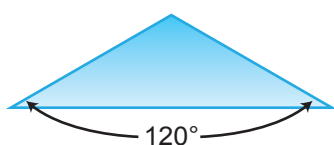
Specification

Input Voltage	110VAC or 220VAC / 0.3-0.15A / 47-63Hz
Fixture Watts *	19.5 Watt
Lumens (Total) *	1,850 Lumens
Efficacy *	95 Lumens / W
CRI	85
LED Model	Nichia
Light Beam Angle	120°
T _s - Solder Point Temp *	52°C
L70 Rating @ T _a 25°C	> 50K hours
Incandescent Equivalence	150 Watt
Lighting Control	Triac - 10% / Step - 25%
Warranty	5-Year Limited
Operational Temperature (T _a)	-40°C ~ 50°C
Storage Temp. / Humidity	-40°C ~ 80°C / 20 - 95% RH non - condensing

* Test data @ T_a: 25°C
 NOTE: All Values Have ±7% Tolerance



Illumination Levels



Height	LUX	FC
2m / 6.5ft	157	14.6
3m / 9.8ft	75	7
4m / 13ft	43	4
5m / 16.5ft	30	2.8

NOTE: Light Intensities Are Measured Directly Below The Fixture Using Clear Lens.
 All Values Have ±7% Tolerance.

LM 200 Series

LED Architectural 7½" Downlighting

Photometry (LM79 Test Number LTL 32863)

Zonal Lumens and Percentages

Zone (°)	Lumens	% of Luminaire
0-30	484	34.83
0-40	765	55.08
0-60	1214	87.43
0-90	1389	100.00
40-90	624	44.92
60-90	175	12.57
90-180	0	0.00
0-180	1389	100.00

NOTE: All Values Have ±7% Tolerance

Intensity(Candlepower) Summary

Angle	Mean CP	Lumens
0	640	-
5	636	61
10	626	-
15	608	171
20	583	-
25	548	251
30	504	-
35	452	281
40	394	-
45	333	256
50	273	-
55	215	193
60	162	-
65	117	116
70	79	-
75	47	51
80	22	-
85	5	8
90	0	-

NOTE: All Values Have ±7% Tolerance

Polar Plot

