

# LM 150 Series

## LED Architectural 6" Downlighting



### Advantages of LM150

- Ultra bright industry leading **High Efficacy (lm/W)** Luminaire
- Energy efficient luminaire with a **Short ROI Period**
- **High CRI** with warm comforting soft light
- **Uniform Glare-Free** lighting without the uncomfortable LED “eye piercing effect”
- **Patented thermal solution** enables low LED Junction Temperatures (T<sub>j</sub>) for maintenance free long life.
- 5-Year Limited Warranty
- **Dimmable** built-in LED driver with **Smart Circuitry** enables greater protection when used in unstable electrical grids
- **Indoor / Outdoor** all-in-one luminaire for retrofit or new construction
- Designed and Engineered in the **USA**

### Application

- Residential
- Retail
- Hospitality
- Healthcare
- Schools
- Office

# LM 150 Series

## LED Architectural 6" Downlighting

### Features

- LM150 Light Module is designed to last over 50,000 hours with a minimum of 70% Lumen Maintenance
- High lumen output & high efficacy
- Available in warm 2700 / 3000K, neutral 4000K and cool 5000K white
- Dimmable to 25% with selected dimmers
- Available in GU-24 Base for high efficacy line voltage sockets
- Suitable for recessed IC and non IC housings
- Indoor / outdoor: Ideal for damp locations

### Housing

- Proprietary Air-Flow Convection<sup>®</sup> System designed to minimize heat and maximize LED life by reducing the junction temperature of the LED when used in environments exceeding 50°C (122°F)
- LM150 is manufactured using only the highest grade alloys and proprietary die-casting technology in the construction of the dome housing and heat sink to maximize performance and minimize cooling cost

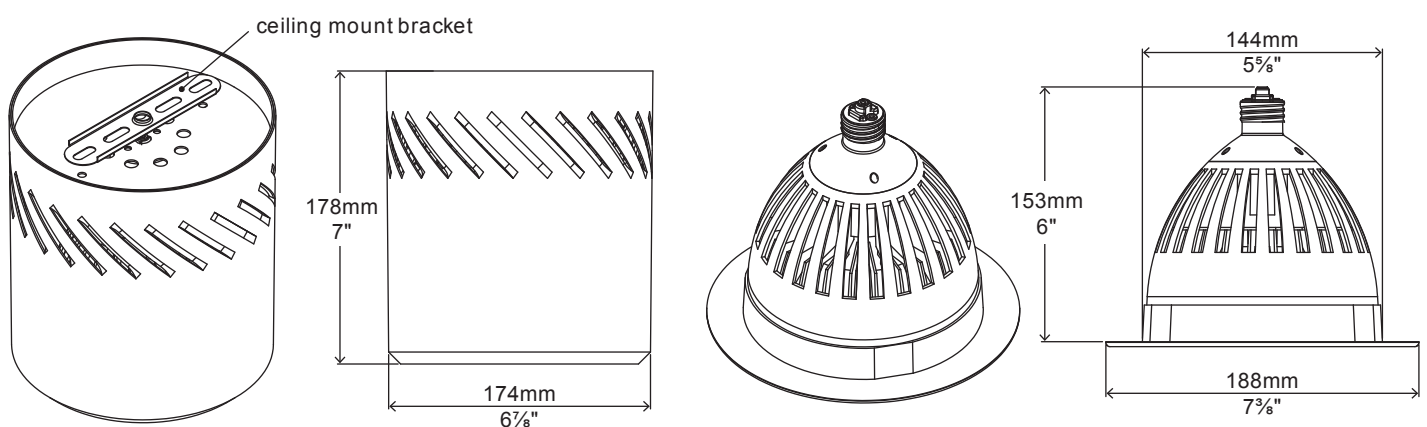
### Electronics

- Patented MCPCB technology enables ultra low LED junction temperatures for maintenance free long life
- Integrated high efficiency LED driver and power supply
- Smart circuitry with surge and transient voltage protection
- Precisely controlled constant current draw for stable power source
- Powered by industry leading high brightness LED chip

### Optics

- Proprietary reflector and optical diffuser system enables 120° glare-free comforting soft light without the uncomfortable LED "eye piercing effect"

### External Dimensions



# LM 150 Series

## LED Architectural 6" Downlighting

### Sockets

E26/27 Standard Edison Socket



GU-24 Base Socket



### Mounting options



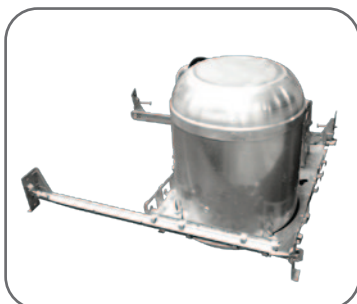
#### INDOOR CAN / RETROFIT

Part Number	Part Description
RH150	RH150 - Recessed Housing for Retrofit



#### SURFACE MOUNT / OUTDOOR CAN

Part Number	Part Description
SMH150G-W	LM150 GU24 Base Socket / Surface Mount Housing / Indoor / Outdoor / White



#### INDOOR CAN / NEW CONSTRUCTION

Part Number	Part Description
NH150	NH150 - Recessed Housing for New Construction

# LM 150 Series

## LED Architectural 6" Downlighting

### Ordering Information

LM150	Series	Voltage	Socket	CCT	Lip Length	Trim Color	Mounting *
	120 150 200	1 = 110VAC 2 = 220VAC	E = E26/27 G = GU-24	27 = 2700K 30 = 3000K 40 = 4000K 50 = 5000K	L = Long Lip S = Short Lip	M = Mocha W = White	CA SA

\* Mounting Options: United States & Canada select CA, otherwise select SA.

### Example

Part Number	Part Description
<b>LM152E-30LW-SA</b>	15Watt 220VAC E26/27 Standard Edison Socket / Dimmable / 3000K Warm White / Long Lip / White Trim / Spring Arm

### Packaging Information

Case Quantity	Dimensions (LxWxH)	Weight
12	68 x 47 x 40 cm 26¾ x 18½ x 15¾ in	16.70 - 17.78 kg 36.74 - 39.12 lbs

### LED Driver Electrical Specifications

AC Input: 110VAC or 220VAC / 0.3-0.15A / 47-63Hz	Output: 28VDC - 475mA
Input Inrush Current: < 10A / 115VAC, < 20A / 230VAC	Tolerance: ±7%
Power Factor: > 0.94 at Full Load, 115VAC, 230VAC	MTBF(@25°C): >100,000 Hours, MIL-217F
Current Crest Factor (Ipk): 1.5 Max	Safety: UL1310 Class 2, CE, RoHS, TUV
Total Harmonic Distortion: 20% Max	Meet: EN55015, EN61547, EN61347-2-13, EN6100-3-2,
Efficiency: TYP 85%	EN61000-3-3, FCC Class B
Protection OCP, SCP, OVP - Auto Recovery	Surge Protection: 4KVAC / 3 seconds

Dimmable with Selected Dimmers and On/Off Step Dimming  
 T1: 100%, T2: 75%, T3: 50%, T4: 25% (on/off time interval 1.5 sec).  
 NOTE: All Values Have ±7% Tolerance

# LM 150 Series

## LED Architectural 6" Downlighting

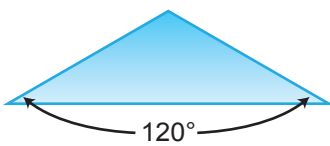
### Specification

Input Voltage	110VAC or 220VAC / 0.3-0.15A / 47-63Hz
Fixture Watts *	14.5 Watt
Lumens (Total) *	1,350 Lumens
Efficacy *	93 Lumens / W
CRI	85
LED Model	Nichia
Light Beam Angle	120°
T <sub>s</sub> - Solder Point Temp *	54°C
L70 Rating @ T <sub>a</sub> 25°C	> 50K hours
Incandescent Equivalence	120 Watt
Lighting Control	Triac - 10% / Step - 25%
Warranty	5-Year Limited
Operational Temperature (T <sub>a</sub> )	-40°C ~ 50°C
Storage Temp. / Humidity	-40°C ~ 80°C / 20 - 95% RH non - condensing

\* Test data @ T<sub>a</sub>: 25°C  
 NOTE: All Values Have ±7% Tolerance



### Illumination Levels



Height	LUX	FC
2m / 6.5ft	125	11.6
3m / 9.8ft	57	5.3
4m / 13ft	33	3.1
5m / 16.5ft	22	2

NOTE: Light Intensities Are Measured Directly Below The Fixture Using Clear Lens.  
 All Values Have ±5% Tolerance.

# LM 150 Series

## LED Architectural 6" Downlighting

### Photometry (LM79 Test Number LTL 32859)

Zonal Lumens and Percentages

Zone (°)	Lumens	% of Luminaire
0-30	336	36.25
0-40	527	56.85
0-60	819	88.41
0-90	926	100.00
40-90	400	43.15
60-90	107	11.59
90-180	0	0.00
0-180	926	100.00

NOTE: All Values Have ±7% Tolerance

Intensity(Candlepower) Summary

Angle	Mean CP	Lumens
0	447	-
5	445	43
10	437	-
15	424	119
20	405	-
25	379	174
30	346	-
35	307	191
40	264	-
45	220	169
50	178	-
55	137	123
60	101	-
65	72	72
70	48	-
75	28	31
80	13	-
85	3	5
90	0	-

NOTE: All Values Have ±7% Tolerance

Polar Plot

